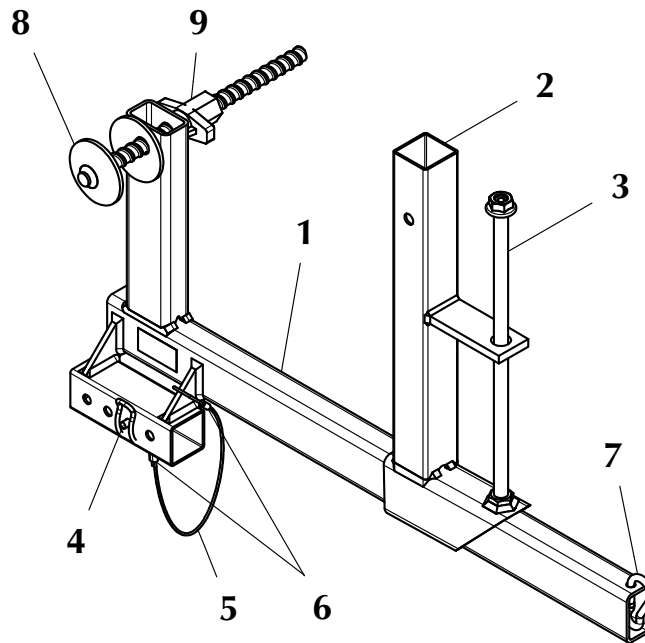


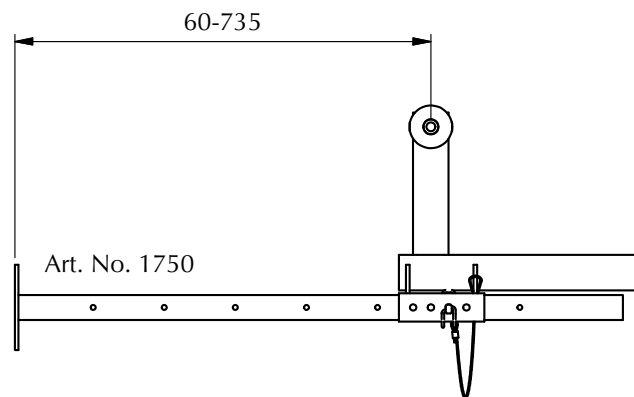
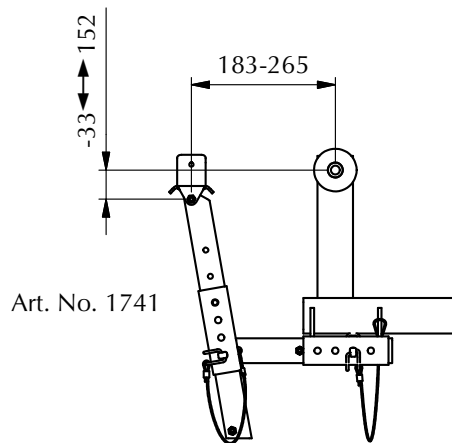
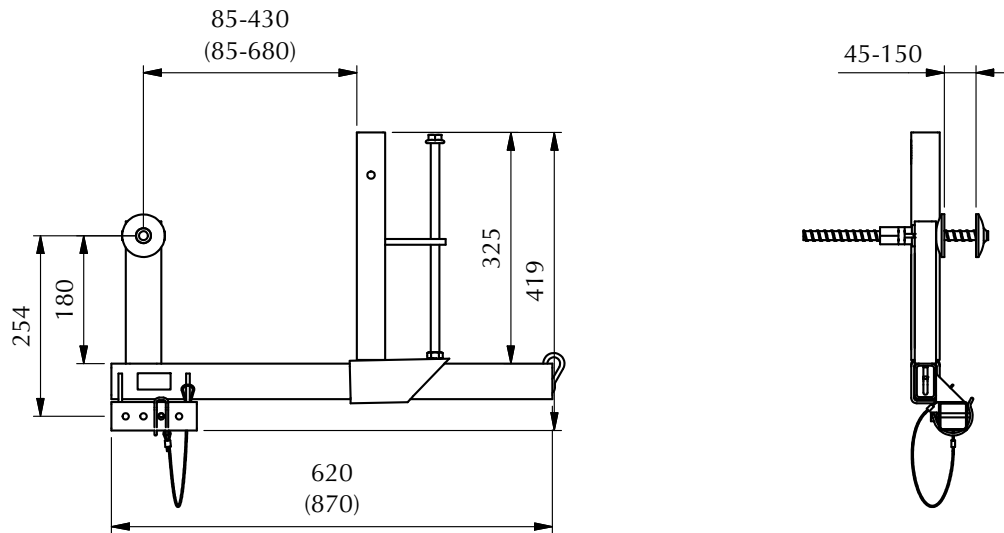
SMB SYSTEM S

5,6 (6,4) [kg]
EN 13374 A-B-C

Item	Part number
1	10401 (10508)
2	10399
3	10400
2+3	10410
4	100165
5	100117
6	100118
7	100029
8	10428
9	100155
8+9	10577



[mm]

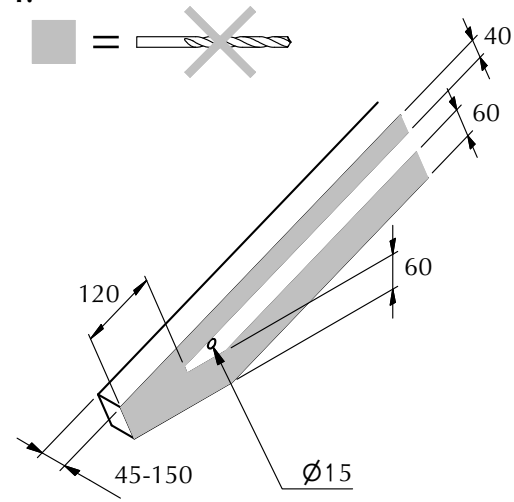


TI 1702(1703)

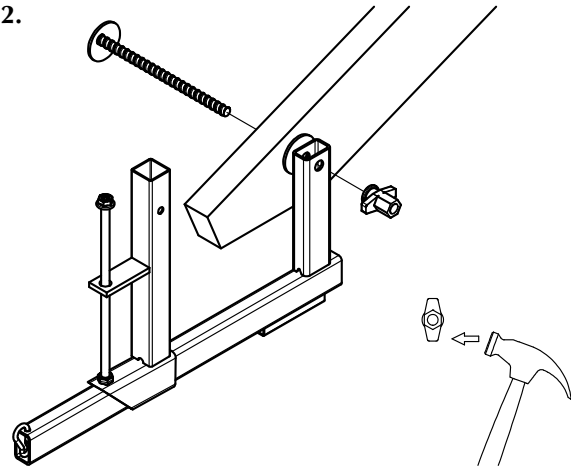
COMBISAFE®

© Combisafe International AB

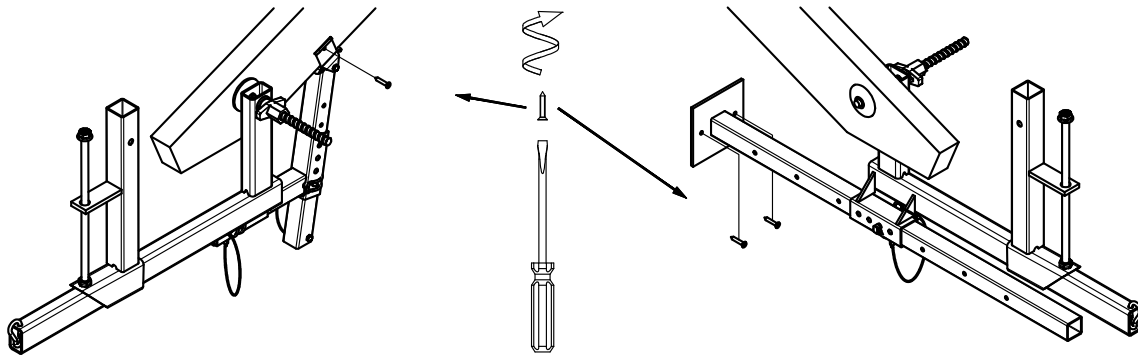
1.



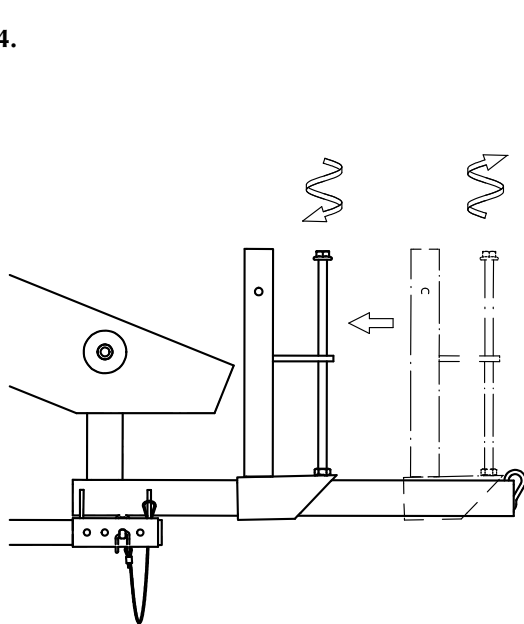
2.



3.



4.



5.

