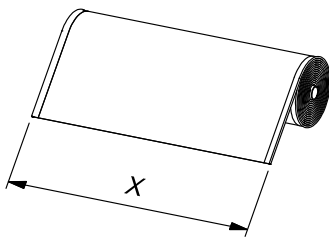
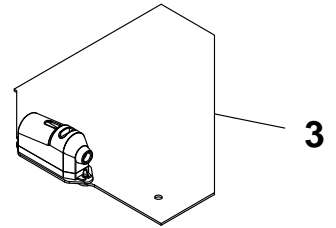
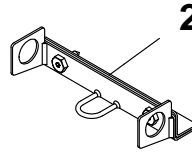
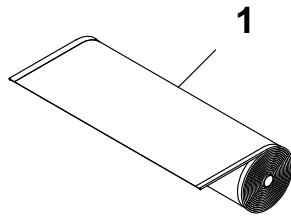


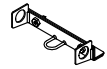
COMBISAFE® TI Lightweight Sheet preparation

© Combisafe International AB

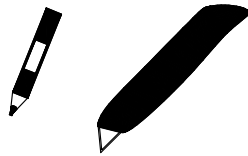
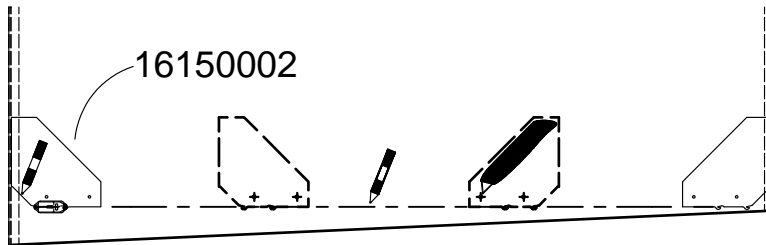
TEMPORARY ROOFING

Item	Part number
1	16XXXXXX
2	16150001
3	16150002

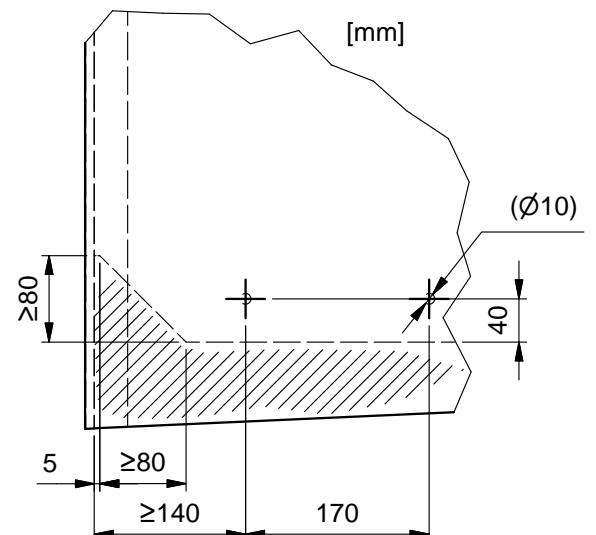
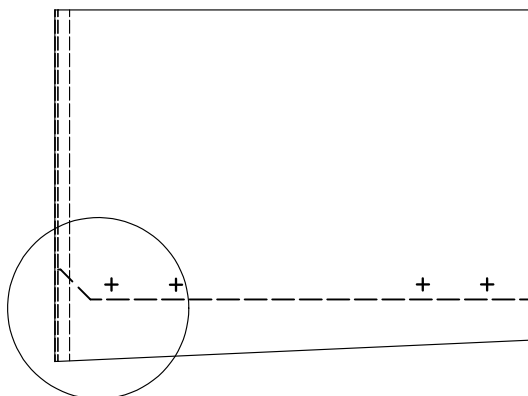
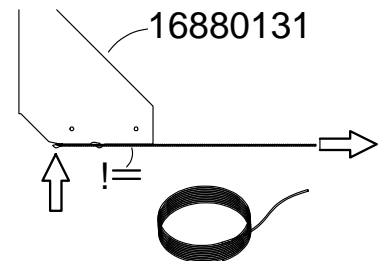


X	# 
≤2,07[m]	2[pcs]
2,07-2,57[m]	3[pcs]
>2,57[m]	4[pcs]

1a.



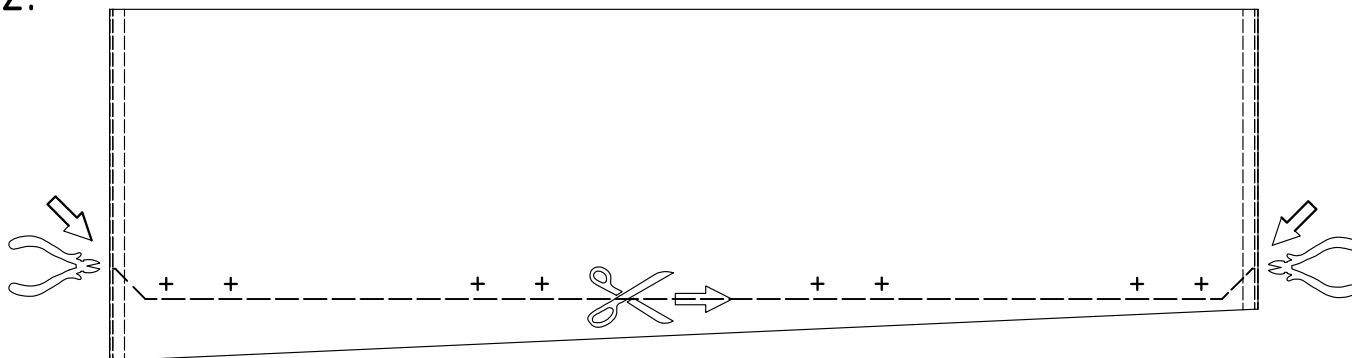
1b.



TI Lightweight Sheet preparation **COMBISAFE®**

© Combisafe International AB

2.



3.

