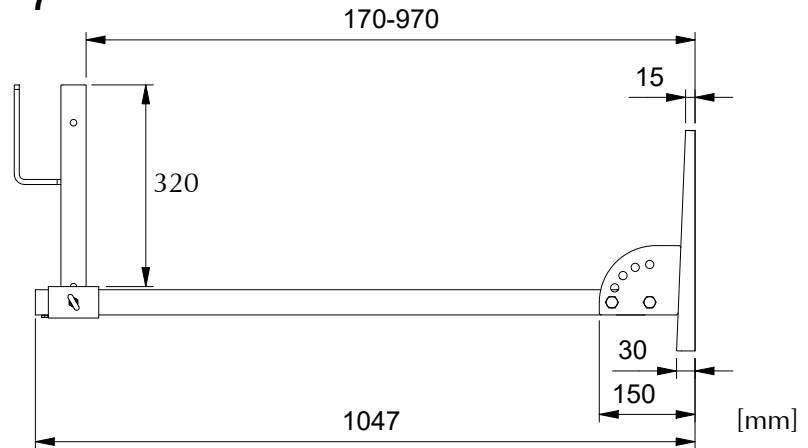
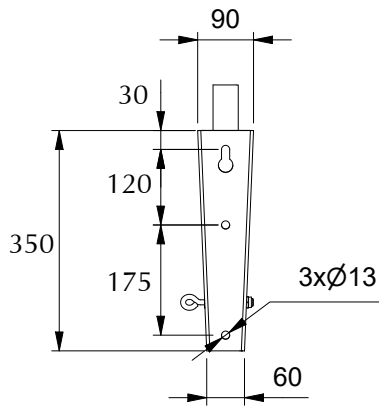
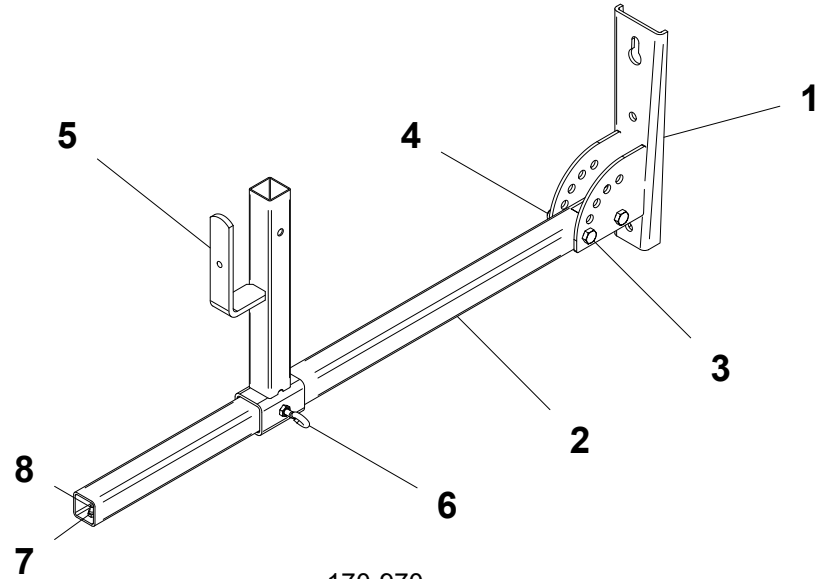


SMB SYSTEM S

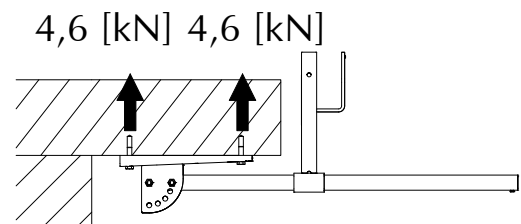
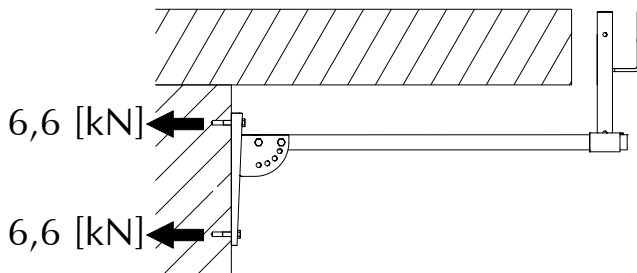
7,6 kg

EN 13374-A-B

Item	Part number
1	10184
2	10322
3	100297, ISO 4014 - M12 x 70
4	100025, ISO 7040 - M12
5	10055 (100244 included)
6	100244, M8 x 20 - \varnothing 12
7	100061, ISO 7040 - M6
8	100569, ISO 4017 - M6 x 18

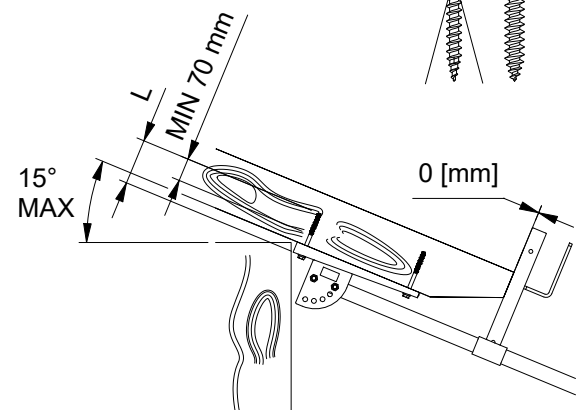
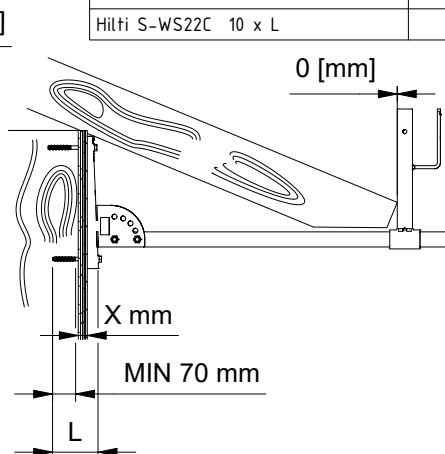
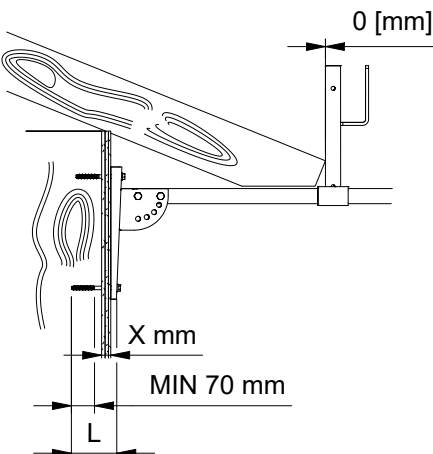
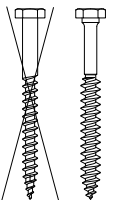


EN 13374-A

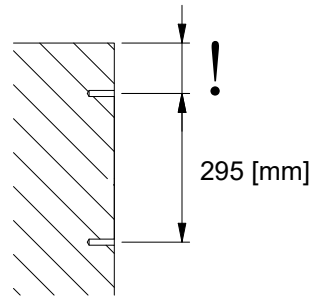


EN 13374-B

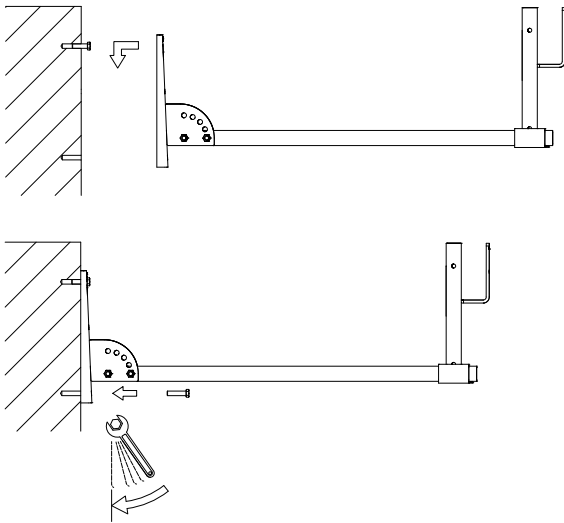
	EN 13374-B
SFS Intec WFD-T-H17 - 12 x L	OK
Würth ASSY-3.0-SK-AW50 - 10 x L	OK
Hilti S-WS22C 10 x L	OK



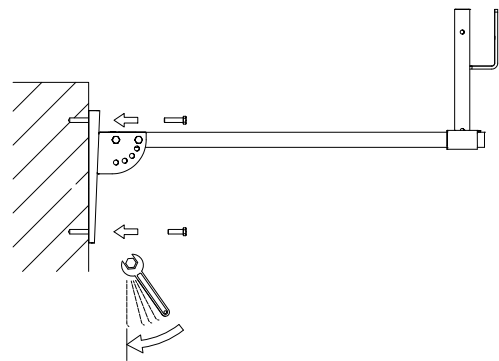
1.



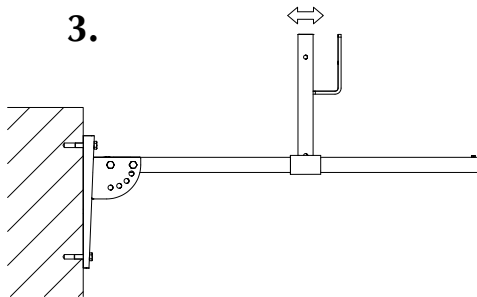
2.A



2.B

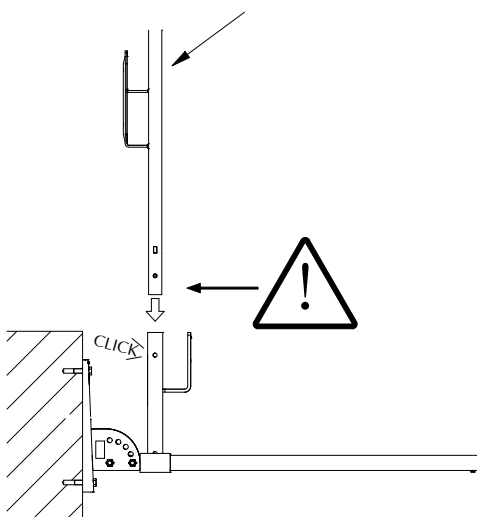


3.



4.A

1102/2000



4.B

1102/2000

